

Customer Information Sheet

DRAWING No.: M22-204XXXX

SHEET 2 OF 2

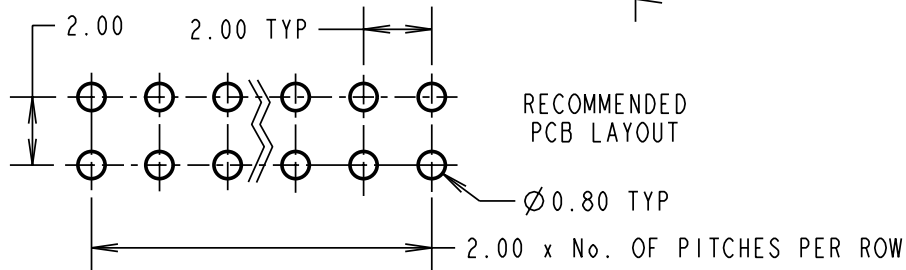
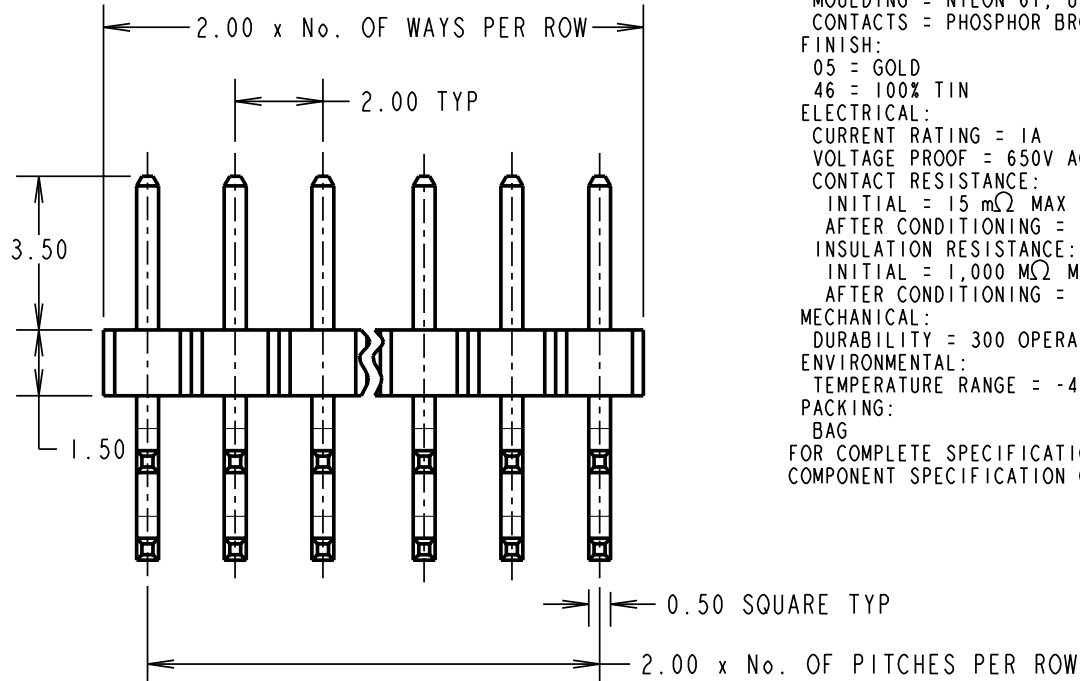
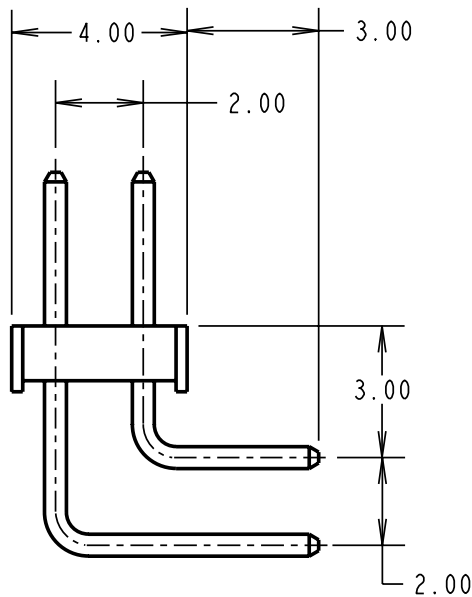
IF IN DOUBT - ASK

©

NOT TO SCALE

THIRD ANGLE PROJECTION

ALL DIMENSIONS IN mm



SPECIFICATIONS:

MATERIAL:

MOULDING = NYLON 6T, UL94V-0, BLACK
CONTACTS = PHOSPHOR BRONZE

FINISH:

05 = GOLD
46 = 100% TIN

ELECTRICAL:

CURRENT RATING = 1A
VOLTAGE PROOF = 650V AC
CONTACT RESISTANCE:
INITIAL = 15 mΩ MAX (GOLD), 20 mΩ MAX (TIN)
AFTER CONDITIONING = 20 mΩ MAX (GOLD), 30 mΩ MAX (TIN)
INSULATION RESISTANCE:
INITIAL = 1,000 MΩ MIN
AFTER CONDITIONING = 100 MΩ MIN

MECHANICAL:

DURABILITY = 300 OPERATIONS (GOLD), 50 OPERATIONS (TIN)

ENVIRONMENTAL:

TEMPERATURE RANGE = -40°C TO +105°C

PACKING:

BAG

FOR COMPLETE SPECIFICATION, SEE
COMPONENT SPECIFICATION C018XX (LATEST ISSUE)

ORDER CODE:
M22-204XXXX

No. OF WAYS PER ROW
02-50

FINISH _____
05 = GOLD OVER NICKEL
46 = 100% TIN OVER NICKEL

RA	7	25.02.09	10299
NAME	ISS.	DATE	C/NOTE
APPROVED:		R. ADDE	
CHECKED:		M.G.PLESTED	
DRAWN:		P. D. COLLINS	
CUSTOMER REF.:			
ASSEMBLY DRG:			

NOTES:
1. ALL TOLERANCES ARE ±0.20 UNLESS OTHERWISE STATED.

HARWIN

HARWIN USA
TEL: 603 893 5376
FAX: 603 893 5396
mis@harwin.com

HARWIN Europe (UK)
TEL: 023 9231 4545
FAX: 023 9231 4590
mis@harwin.co.uk

HARWIN Asia
TEL: +65 6 779 4909
FAX: +65 6 779 3868
mis@harwin.com.sg

THIS DRAWING AND ANY INFORMATION OR DESCRIPTIVE MATTER SET OUT HEREON ARE CONFIDENTIAL AND COPYRIGHT PROPERTY OF THE HARWIN GROUP AND MUST NOT BE DISCLOSED, LOANED, COPIED OR USED FOR MANUFACTURING, TENDERING OR FOR ANY OTHER PURPOSE WITHOUT THEIR WRITTEN PERMISSION.

TOLERANCES
~~X. = ±1mm~~
~~X.X = ±0.25mm~~
~~X.XX = ±0.10mm~~
~~X.XXX = ±0.01mm~~
ANGLES = ±5
UNLESS STATED

MATERIAL:
SEE ABOVE

FINISH: SEE ABOVE

S/AREA: mm²

TITLE:
2.00mm PITCH DIL
HORIZONTAL PC TAIL PIN HDR

DRAWING NUMBER:
M22-204XXXX

SHT
2 OF 2